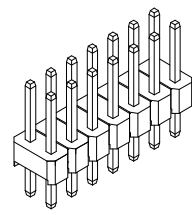
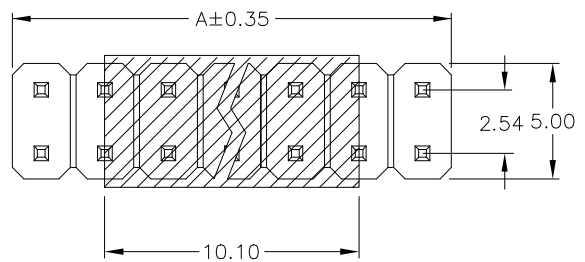


REV.	SPECIFICATION	ECN NO.	APPD.



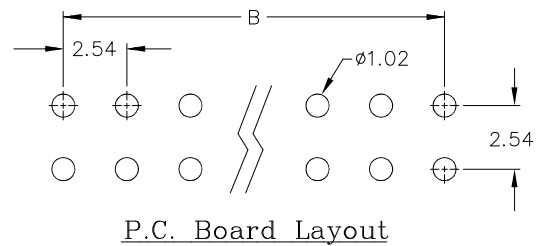
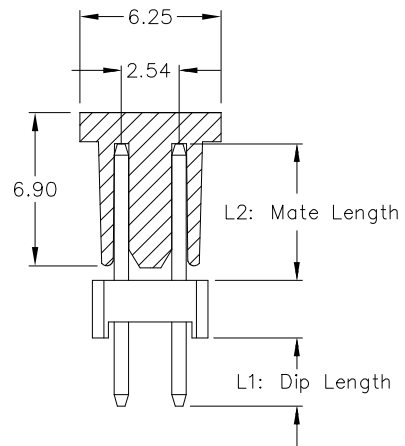
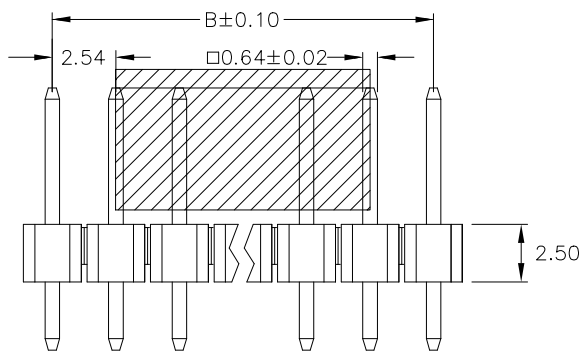
**Material:**

**Housing:** PA6T, UL94V-0,Black.  
**Contacts:** Brass, Gold Plated or 80u"~120u"Matte Tin Plated over Nickel 20~40u".  
 or Gold Plated on Contact Area and 80~120u" Tin Plated on Solder Tail over Nickel 20~40u".

**Electrical Characteristics:**

**Current Rating:** 3 AMP.  
**Dielectric Withstanding Voltage:** AC 1000V.  
**Insulator Resistance:** 1000MΩ min.  
**Contact Resistance:** 20mΩ max.  
**Operating Temperature:** -40°C~+105°C.

**\*RoHS Compliant**



2011- 2 X xx G xx S T -P -HT  
 Series: 2011-  
 Double Row: 2  
 No. of Positions: X  
 G: Gold Plated  
 MT: Matte Tin Plated  
 C: Selective Gold Plated  
 00: Gold Flash  
 10: 10u"  
 15: 15u"  
 30: 30u"  
 Blank: for Matte Tin Plated  
 S: Straight  
 T: Tape & Reel Package  
 P: With Plastic Pad  
 Blank: W/O Plastic Pad  
 High Temperature Plastic

Dimension					
Positions	A	B	Positions	A	B
02	4.83	2.54	22	55.63	53.34
03	7.37	5.08	23	58.17	55.88
04	9.91	7.62	24	60.71	58.42
05	12.45	10.16	25	63.25	60.96
06	14.99	12.70	26	65.79	63.50
07	17.53	15.24	27	68.33	66.04
08	20.07	17.78	28	70.87	68.58
09	22.61	20.32	29	73.41	71.12
10	25.15	22.86	30	75.95	73.66
11	27.69	25.40	31	78.49	76.20
12	30.23	27.94	32	81.03	78.74
13	32.77	30.48	33	83.57	81.28
14	35.31	33.02	34	86.11	83.82
15	37.85	35.56	35	88.65	86.36
16	40.39	38.10	36	91.19	88.90
17	42.93	40.64	37	93.73	91.44
18	45.47	43.18	38	96.27	93.98
19	48.01	45.72	39	98.81	96.52
20	50.55	48.26	40	101.60	99.06
21	53.09	50.80			

**Standard item:**  
**ie:** 2011-2XxxG00ST-P-HT (Total Length 11.6mm Dip 3.0mm Mate 6.1mm)  
**Custom item:**  
**ie:** 2011-2XxxG00S-2.5-5.9T-P-HT (2011-2XxxG00S-L1-L2T-P-HT)  
 2.5mm Dip Length (increment of 0.10mm)  
 5.9mm Mate Length (increment of 0.10mm)

Tolerances	Dwg No.	2011D01082	Title:	2011 Series	 <b>OUPIIN ELECTRONIC(KUNSHAN) CO., LTD.</b> P/N: 2011-2XxxG00ST-P-HT SHEET 1/1 Ver.No. A9
.x = ±0.30	Projection		Pin Header 2.54mmX2.54mm		
.xx = ±0.20	Unit	mm	Scale	1:1	
	Drawn By	Martin 11/21'23	Double Row High Temp Straight Solder Type		