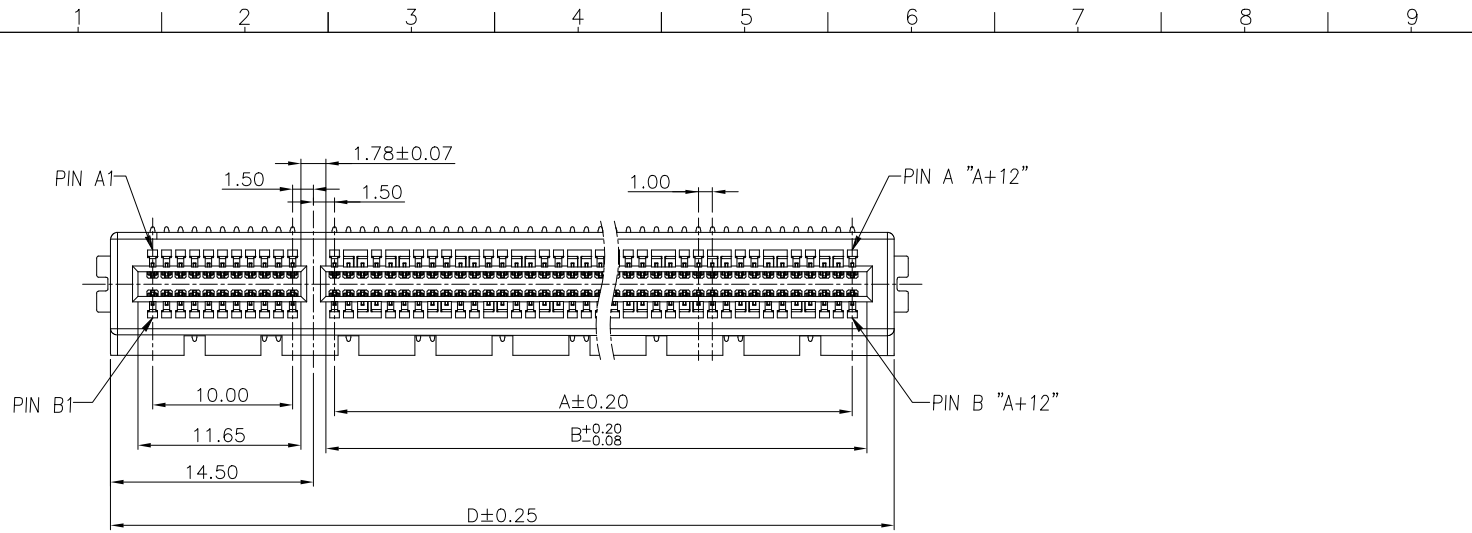
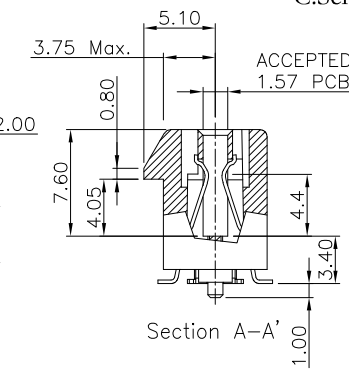
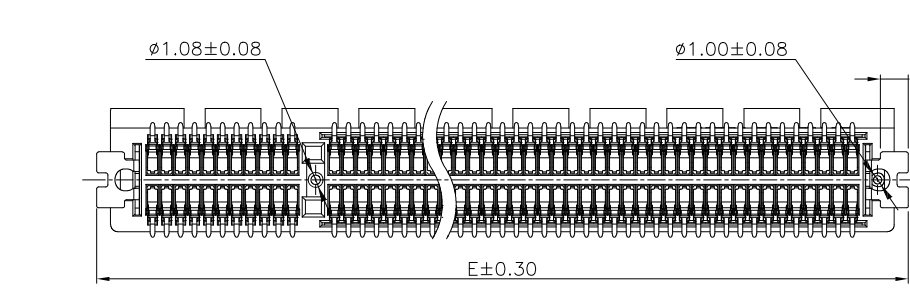
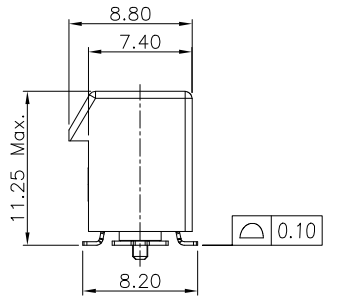
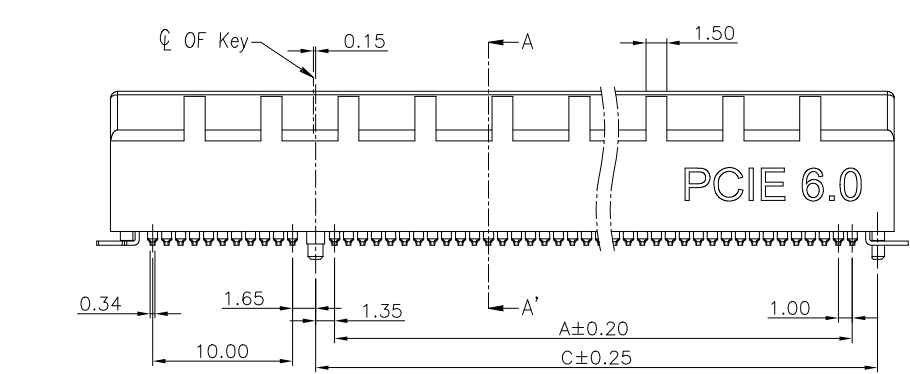


REV.	SPECIFICATION	ECN NO.	APPD.



Material:
Housing: PA9T, UL94V-0, Black.
Contacts: Phosphor Bronze, Gold Plated on Contact Area and 100" Matte Tin Plated on Solder Tail over Nickel Plated 50u".
Solder Tab: Brass, 100u" Matte Tin Plated over Nickel 50u".
GND Bar: Stainless Steel.
Plastic Pad: LCP, UL94V-0, Black.
Electrical Characteristics:
Current Rating: 1.1A.
Dielectric Withstanding Voltage: AC 500V for 1 minute.
Insulation Resistance: 1000MΩ min.
Contact Resistance: 30mΩ max.
Operating Temperature: -40°C~+85°C.
***RoHS Compliant**



Series: 8406-C xx C xx D P x -x -G6
 Positions: C: Selective Gold Plated
 Gen6
 P: Plastic Pad
 S: Mylar
 Blank: W/O Pad & Mylar
 T: Tape & Reel Package
 A: Tray Package
 P: With Post
 00: Gold Flash
 15: 15u"
 30: 30u"
 D: SMD Type

DIMENSIONS					
POSITION	A	B	C	D	E
36	6.0	7.65	9.15	25.0	27.0
64	20.0	21.65	23.15	39.0	41.0
98	37.0	38.65	40.15	56.0	58.0
164	70.0	71.65	73.15	89.0	91.0

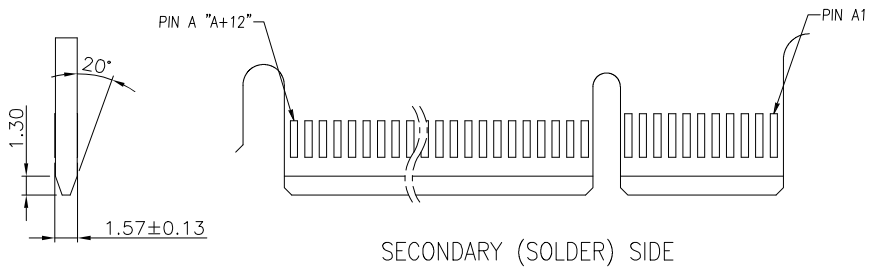
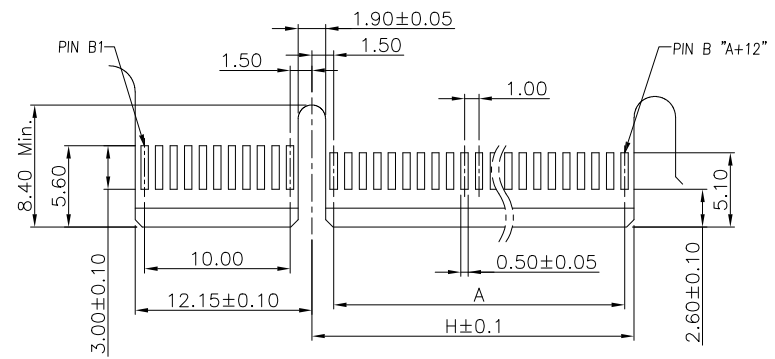
Tolerances	Dwg. No.	S0420260601-01	
x. = ±0.40	Projection	⊕ ⊖	
.x = ±0.30	Unit	mm	Scale 1:N
.xx = ±0.20	Drawn By	Martin 06/01'26	
.xxx = ±0.10			

Title: 8406-C Series
 PCI Express GEN6 1.0mm
 SMD Type

OUPIIN
 OUPIIN ELECTRONIC(KUNSHAN) CO., LTD.
 P/N: 8406-CxxCxxDPx-x-G6
 SHEET 1/3 Ver.No. X1

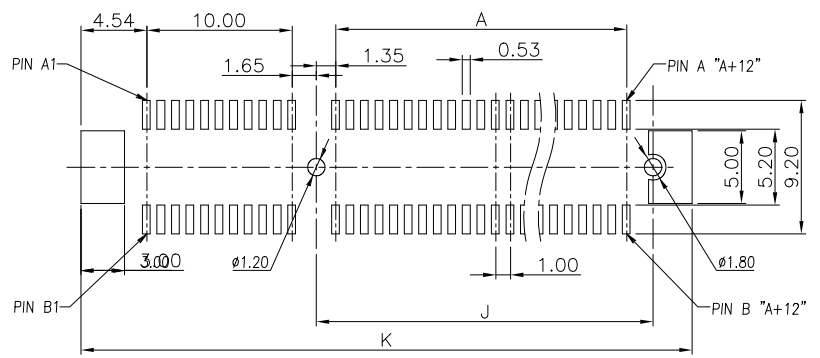
Ⓞ 716

REV.	SPECIFICATION	ECN NO.	APPD.

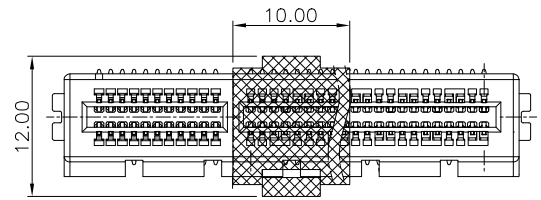


← I/O PANEL DIRECTION
PRIMARY (COMPONENT) SIDE

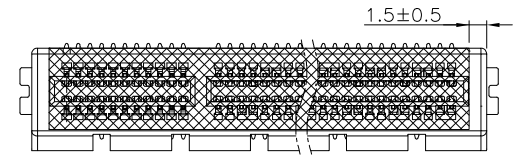
NOTES:
CHAMFER EDGE MUST BE FREE OF CUTTING BURRS



RECOMMENDED PCB LAYOUT
TOLERANCE: ±0.05



With Plastic Pad



WITH MYLAR

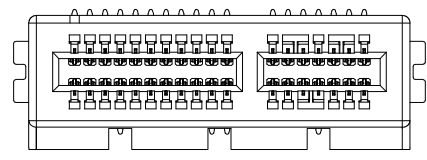
DIMENSIONS				
POSITION	A	H	J	K
36	6.0	8.15	9.15	28.0
64	20.0	22.15	23.15	42.0
98	37.0	39.15	40.15	59.0
164	70.0	72.15	73.15	92.0

Tolerances	Dwg. No.	S0420260601-01		Title:	8406-C Series
x. = ±0.40	Projection	⊕ ↗			PCI Express GEN6 1.0mm
.x = ±0.30	Unit	mm	Scale	1:N	SMD Type
.xx = ±0.20	Drawn By	Martin 06/01'26		① 716	
.xxx = ±0.10					

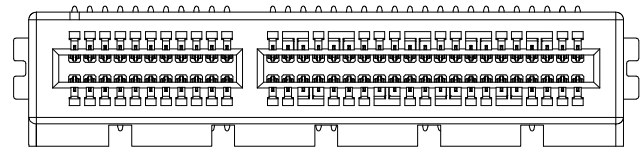
OUPIIN
OUPIIN ELECTRONIC(KUNSHAN) CO., LTD.
P/N: 8406-CxxCxxDPx-x-G6
SHEET 2/3 Ver.No. X1

REV.	SPECIFICATION	ECN NO.	APPD.

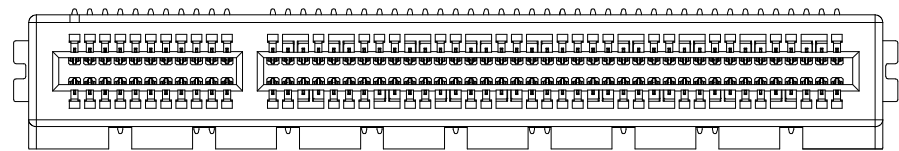
36 Pos.



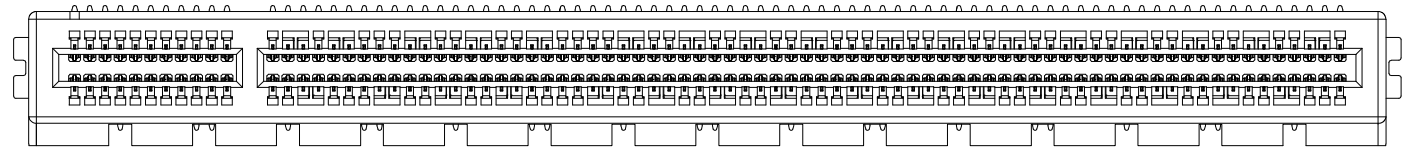
64 Pos.



98 Pos.



164 Pos.



Tolerances	Dwg. No.	S0420260601-01	
x. = ±0.40	Projection		
.x = ±0.30	Unit	mm	Scale
.xx = ±0.20	Drawn By	Martin	1:N
.xxx = ±0.10		06/01'26	① 716

Title: 8406-C Series
 PCI Express GEN6 1.0mm
 SMD Type

OUPIIN ELECTRONIC(KUNSHAN) CO., LTD.			
P/N: 8406-CxxCxxDPx-x-G6			
SHEET	3/3	Ver.No.	X1