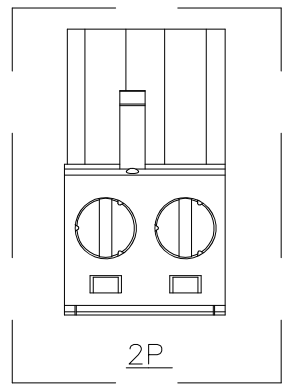
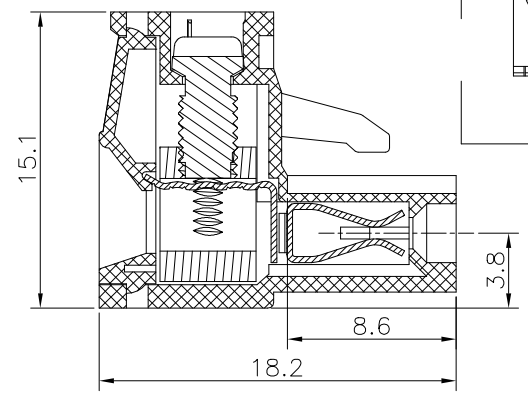
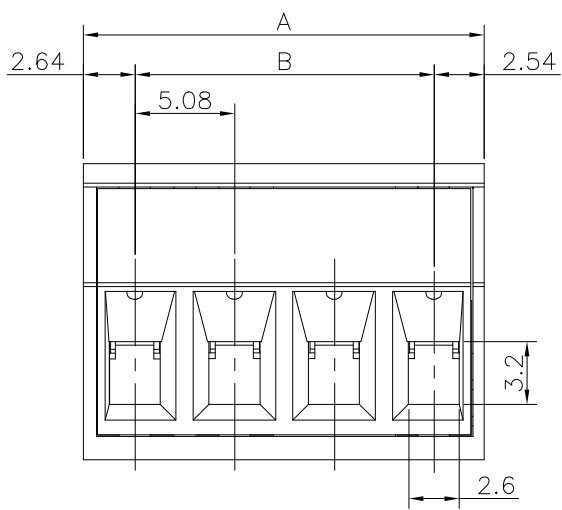


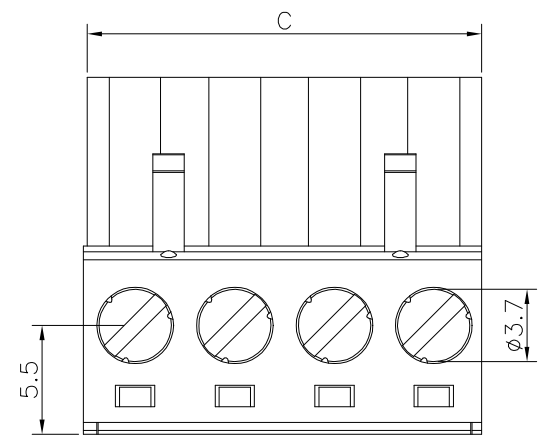
REV.	SPECIFICATION	ECN NO.	APPD.



Material:
Housing: PA66, UL94V-0.
Female Contact: Phosphor Bronze, Tin Plated.
Clamp: Brass, Ni Plated.
Screw: Steel, Zinc Plated, M3.

Electrical Characteristics:
Voltage Rating: AC 300V
Current Rating: 20A
Solid Wire(AWG): 12-24
Standed Wire(AWG): 12-24
Torque: 5Lb-In
Wire Strip Length: 7-8mm
Withstanding Voltage: 1.6KV
Operating Temperature: -40°C~+115°C

***RoHS Compliant**



8933- G 151182 x AA DC xx B

Series — G:Pitch:5.08mm — Manufacturing Code — AA:Slotted "—"Screw — DC:W/O Flange With Hook Contact Down Side — B:Bulk Package for 2~4Pos. Box Package for 5~24Pos. — No. of Positions

G:Green
B:Black
Y:Grey
U:Bluc
O:Orange

Positions	Dimension					
	A	Tolerance	B	Tolerance	C	Tolerance
02	10.26	±0.20	5.08	±0.15	10.16	±0.20
03	15.34		10.16		15.24	
04	20.42		15.24		20.32	
05	25.50		20.32		25.40	
06	30.58	±0.25	25.40	±0.20	30.48	±0.25
07	35.66		30.48		35.56	
08	40.74		35.56		40.64	
09	45.82		40.64		45.72	
10	50.90	±0.30	45.72	±0.25	50.80	±0.30
11	55.98		50.80		55.88	
12	61.06		55.88		60.96	
13	66.14		60.96		66.04	
14	71.22	±0.40	66.04	±0.30	71.12	±0.40
15	76.30		71.12		76.20	
16	81.38		76.20		81.28	
17	86.46		81.28		86.36	
18	91.54	±0.30	86.36	±0.30	91.44	±0.40
19	96.62		91.44		96.52	
20	101.70		96.52		101.60	
21	106.78		101.60		106.68	
22	111.86	±0.40	106.68	±0.30	111.76	±0.40
23	116.94		111.76		116.84	
24	122.02		116.84		121.92	

Tolerances	Dwg. No.	8933D02006
x. = ±0.50	Projection	
.x = ±0.30	Unit	mm
.xx = ±0.10	Scale	1:1
	Drawn By	Martin 02/21'25

Title: 8933 Series
5.08mm Terminal Block
(8800-xxFTR11-02)

OUPIN
OUPIN ELECTRONIC(KUNSHAN) CO., LTD.
P/N: 8933-G151182xAADCxxB

SHEET	1/1	Ver.No.	A8
-------	-----	---------	----