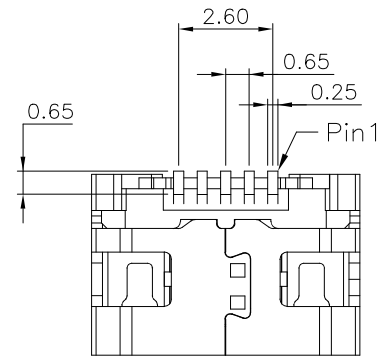
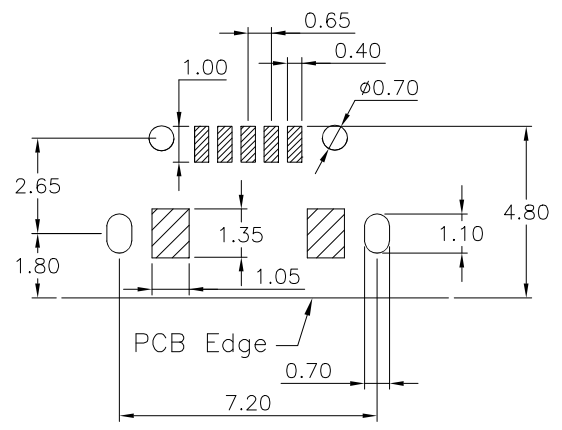
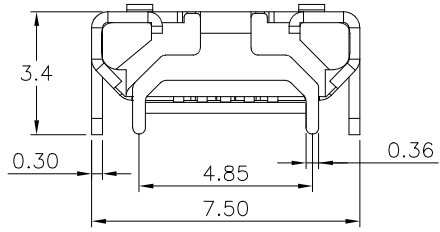
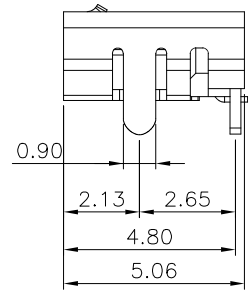
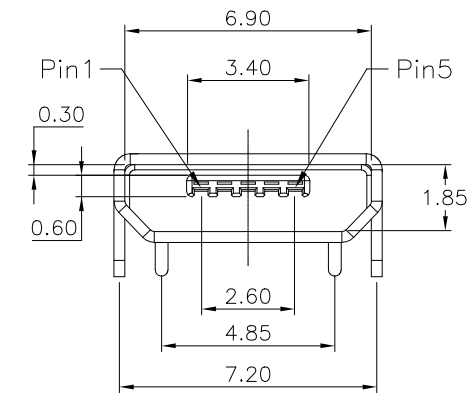
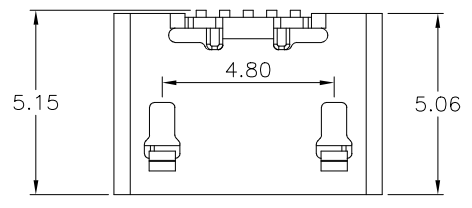


REV.	SPECIFICATION	ECN NO.	APPD.




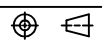
Material:
Housing: LCP, UL94V-0.
Contacts: Phosphor Bronze, Gold Plated over Nickel.
Shell: Brass, Tin Plated.

Electrical Characteristics:
Current Rating: 1.8 AMP for Pin1&Pin5.
1.0 AMP for Pin2&Pin3&Pin4.

Dielectric Withstanding Voltage: 100V.
Insulation Resistance: 100MΩ min.
Contact Resistance: 30mΩ max.
Operating Temperature: -30°C~+80°C.
***RoHS Compliant.**

8971- B 05 G 00 D N 16 T
Series Type B Position G: Gold Plated 00: Gold Flash D: SMD Type N: Without Post Type 16 T: Tape & Reel Package

P.C.Board Layout

Tolerances	Dwg No.	8971D02006	Title:		 OUPIIN ELECTRONIC(KUNSHAN) CO., LTD. P/N: 8971-B05G00DN16T SHEET 1/1 Ver.No. A2
X. = ±0.50	Projection		8971 Series		
.X = ±0.30	Unit	mm	Scale	1:1	
.XX = ±0.25	Drawn By	Martin 01/24'22	Micro USB B Type SMD		