

| | | | |
|------|---------------|-----------|-------|
| REV. | SPECIFICATION | ECN NO. | APPD. |
| R3 | | ECN210625 | |

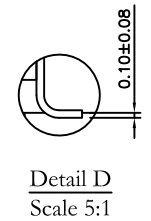
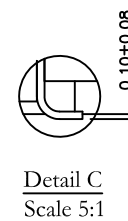
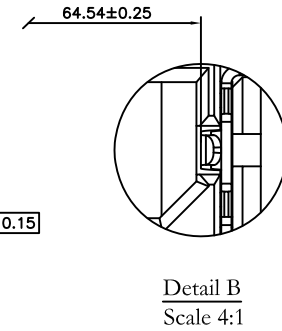
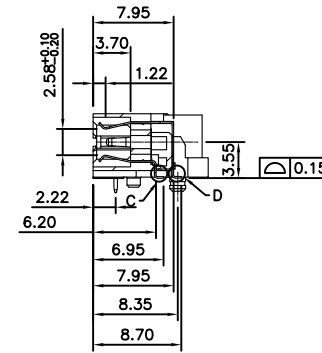
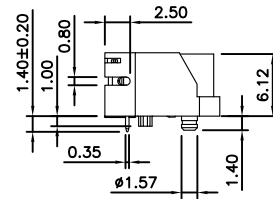
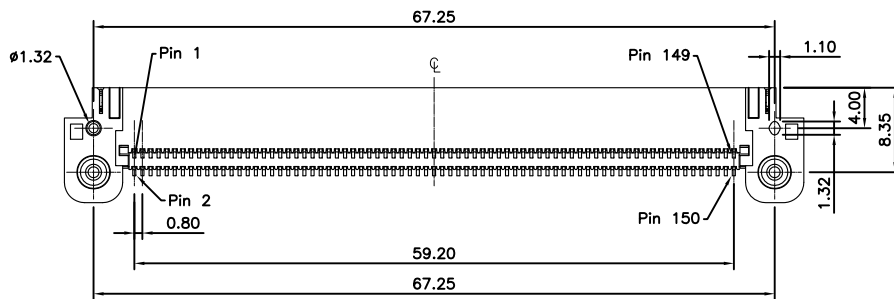
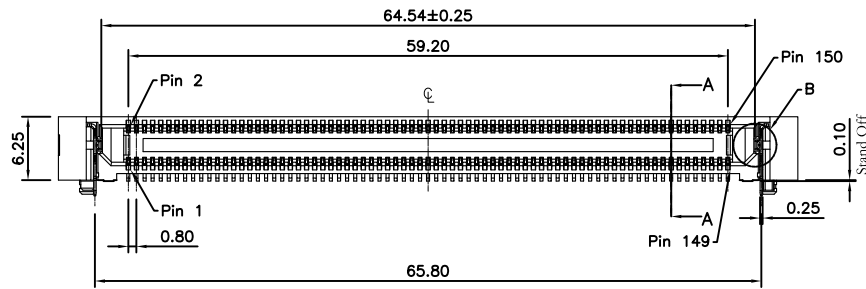
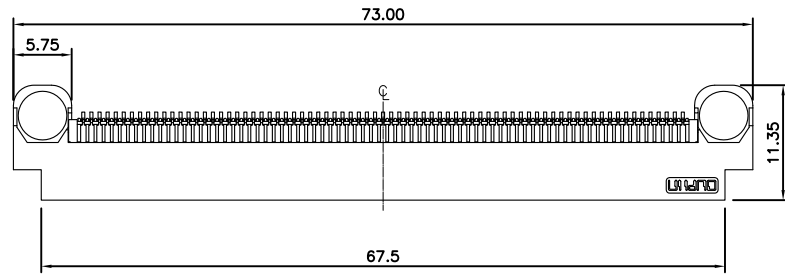
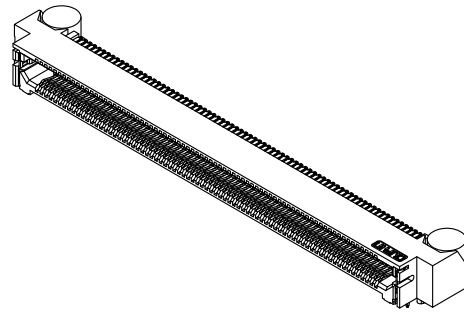
Material and Plating:

Housing: LCP, UL94V-0, Black.
 Contacts: Phosphor Bronze
 Gold Plated on Contact Area and 80u" Min
 Tin Plated on Solder Tail over nickel 50u" Min.
 Counterweight: Brass
 Latches: Phosphor Bronze

Electrical Characteristics:

Current Rating: 1.4 AMP.
 Dielectric Withstanding Voltage: AC 900V For 1 Minute.
 Insulation Resistance: 50000MΩ min.
 Contact Resistance: 25mΩ max.
 Operating Temperature: -55°C~+125°C.

***RoHS Compliant**



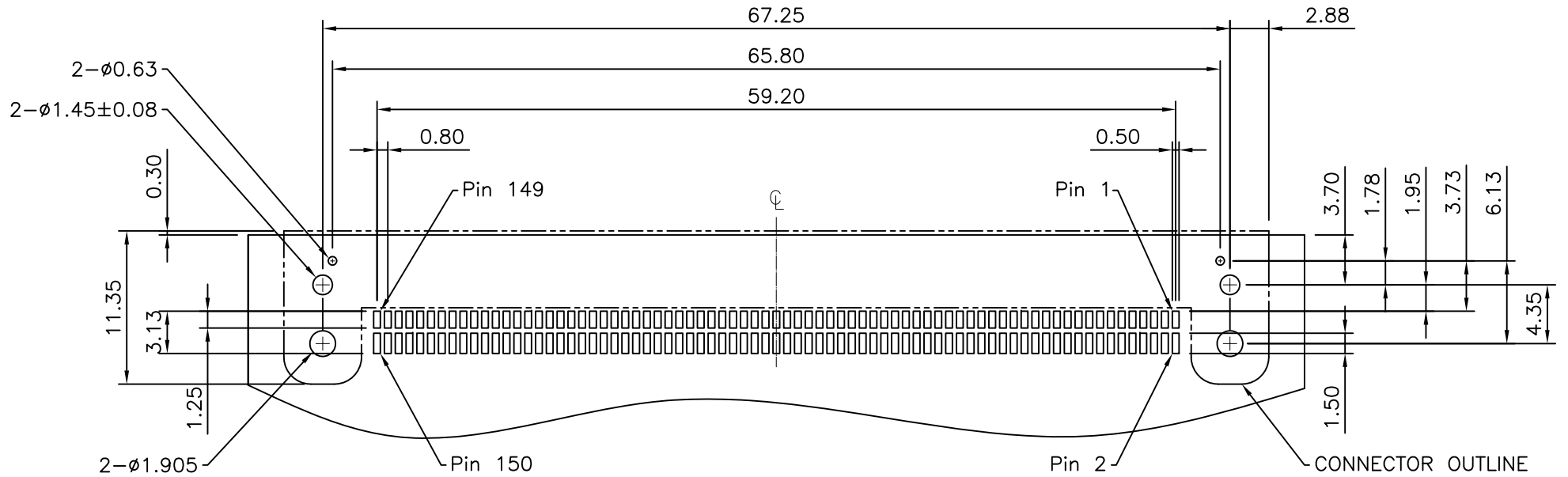
Series: 2386- 4 2 X 75 C 3 D 3 M N G T
 4: Female Right Angle
 Double Row
 Position Per Row
 C: Selective Gold Plated
 3: 10u"
 7: 30u"
 D: SMD Type
 Code 3
 T: Tape&Reel Package
 G: With Extended Guide Post
 Blank: W/O Extended Guide Post
 N: W/O Lock
 L: With lock
 M: Metal Post
 Blank: W/O Metal Post

| | | | | |
|-------------|------------|----------------|--------------------|-----|
| Tolerances | Dwg No. | 2386-D0000-012 | Title: | |
| x = ±0.50 | Projection | | 2386 Series | |
| .x = ±0.25 | Unit | mm | Scale | 1:1 |
| .xx = ±0.15 | Drawn By | WP 06/21'21 | Female Right Angle | |


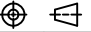
| | | | |
|--------------------|--|--|--|
| Title: | | | |
| 2386 Series | | | |
| Female Right Angle | | | |

| | | | |
|-------------------------------------|-----|---------|----|
| OUPIN | | | |
| OUPIN ELECTRONIC(KUNSHAN) CO., LTD. | | | |
| P/N: 2386-42X75C3D3MNGT | | | |
| SHEET | 1/2 | Ver.No. | R3 |

| | | | |
|------|---------------|-----------|-------|
| REV. | SPECIFICATION | ECN NO. | APPD. |
| R3 | | ECN210625 | |



Recommended PCB Layout
(Tolerance: ±0.05)

| | | | | | | | | |
|-------------|------------|---|-------------|-----|---|-----|---------|----|
| Tolerances | Dwg No. | 2386-D0000-012 | Title: | |  OUPIIN ELECTRONIC(KUNSHAN) CO., LTD. P/N: 2386-42X75C3D3MNGT | | | |
| x = ±0.50 | Projection |  | 2386 Series | | | | | |
| .x = ±0.25 | Unit | mm | Scale | 1:1 | Female Right Angle | | | |
| .xx = ±0.15 | Drawn By | WP 06/21'21 | | | SHEET | 2/2 | Ver.No. | R3 |