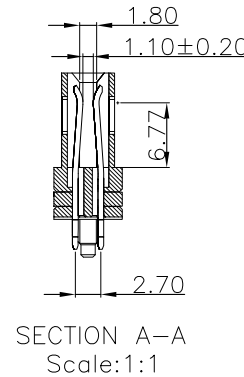
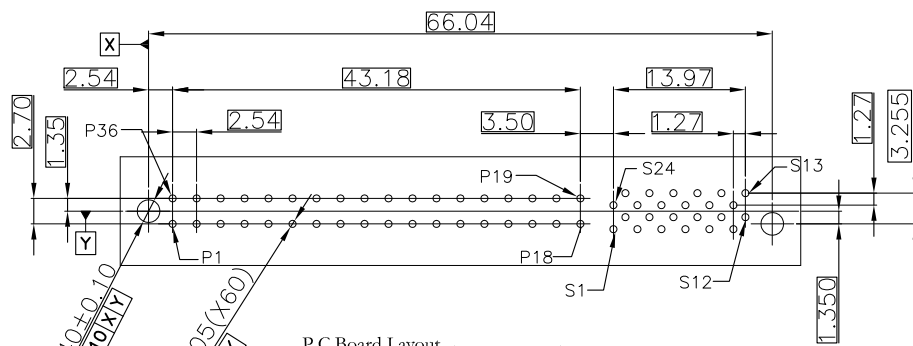
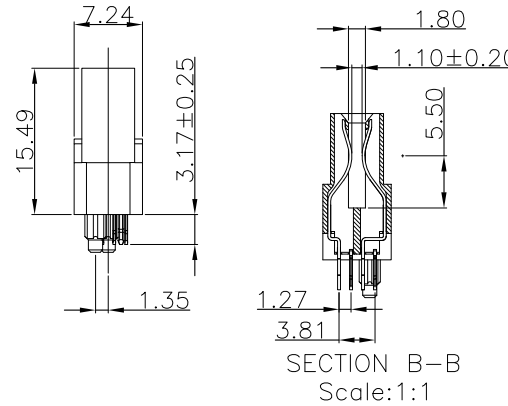
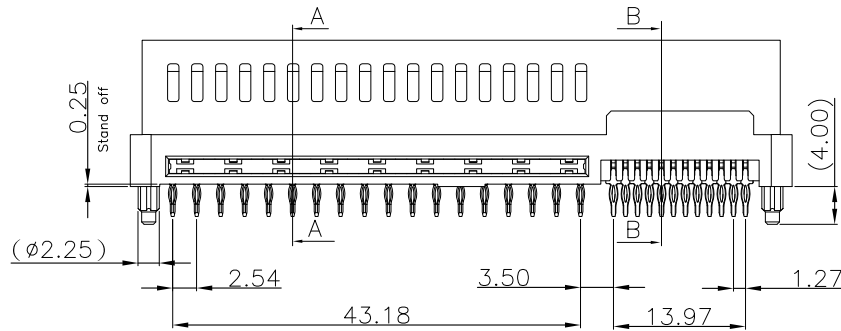
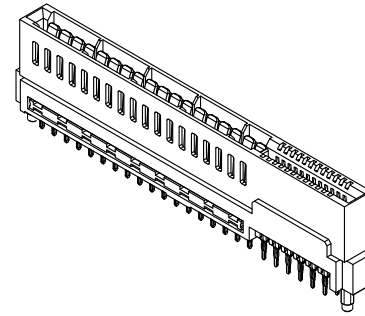
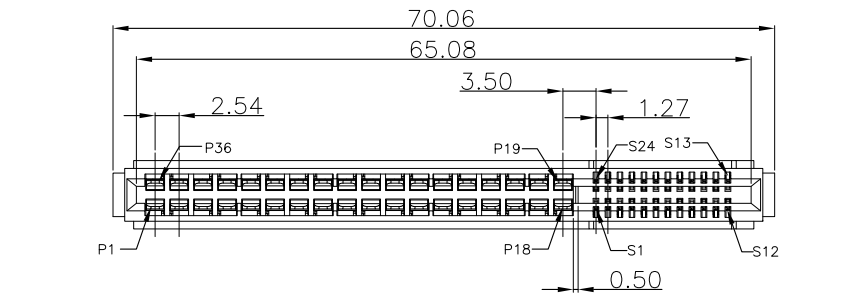


REV.	SPECIFICATION	ECN NO.	APPD.
R1	NEW	ECN200719	



9302- 2 A1 S24 x 1 1 1 A CB30 P A

Series: 9302-  
 2:Female-Straight  
 Type:A1  
 A1:H16P02  
 Sxx:Signal pin  
 N:Without Post  
 P:With Post  
 1:DIM (Tail) 3.17mm  
 1:DIM (GAP) 1.1mm

A: Tray Package  
 P: Press Fit Type  
 CB30: Contact Au+Pd/Ni,  
 Dip Tin 30u"  
 A:Signal pitch 1.27  
 B:Signal pitch 2.54  
 1:With Front Key

P.C.Board Layout (Top View)  
 (Tolerance:±0.05)

Tolerances	Dwg. No.	9302-D0000-006	Title:	
X=±0.50	Projection		9302 SERIES	
X=±0.25	Unit	mm	Scale	1:1
.XX=±0.15	Drawn By	GYJ07/13/20'	HIGH POWER AND SIGNAL EDGE CARD CONNECTOR	

Title:			
9302 SERIES			
HIGH POWER AND SIGNAL			
EDGE CARD CONNECTOR			

<b>DUPIIN</b>			
DUPIIN ELECTRONIC(KUNSHAN) CO., LTD.			
P/N: 9302-2A1S24x111ACB30PA			
SHEET	1/2	Ver.No.	R1

**Material and Plating:**

Housing: LCP, UL94V-0, BLACK.

Power Contacts: High Conductivity Copper.

30u" Au+Pd/Ni on Contact Area and 80u" Min Matte Tin Plated on Press Fit over nickel 50u" Min.

Signal Contacts: Phosphor Bronze.

30u" Au+Pd/Ni on Contact Area and 80u" Min Matte Tin Plated on Press Fit over nickel 50u" Min.

**Electrical Characteristics:**

Current Rating: Signal Pin 1.5 AMP.

Power Pin 12.5AMP(UL).

Dielectric Withstanding Voltage:

Signal Pin DC 500V For 1 minute.

Power Pin DC 1000V For 1 minute.

Insulator Resistance: Signal Pin 500MΩ min. at DC 500V.

Power Pin 5000MΩ min. at DC 500V.

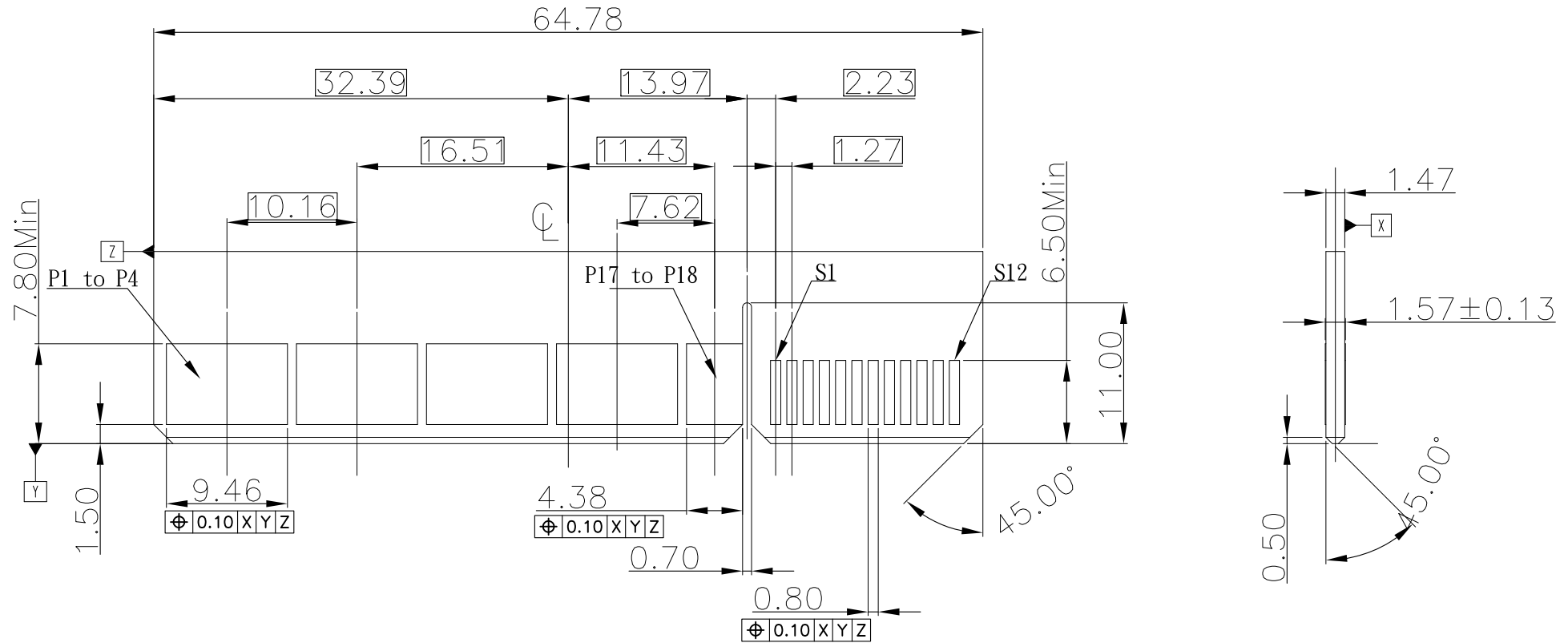
Contact Resistance: Signal Pin 25mΩ max.

Power Pin 0.6mΩ max.



Operating Temperature: -55°C ~+105°C.

**\*RoHS Compliant**

REV.	SPECIFICATION	ECN NO.	APPD.
R1	NEW	ECN200719	



RECOMMENDED MATTING BOARD FOOTPRINT  
(Tolerance:±0.05)

Tolerances	Dwg. No.	9302-D0000-006	Title:		 DUPIIN ELECTRONIC(KUNSHAN) CO., LTD. P/N: 9302-2A1S24x111ACB30PA
X=±0.50	Projection		9302 SERIES HIGH POWER AND SIGNAL EDGE CARD CONNECTOR		
.X=±0.25	Unit	mm	Scale	1:1	
.XX=±0.15	Drawn By	GYJ07/13/20'	©		SHEET
					2/2
					Ver.No.
					R1