

1 2 3 4 5 6 7 8 9 10 11 12

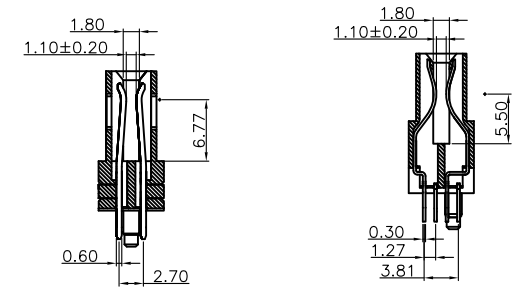
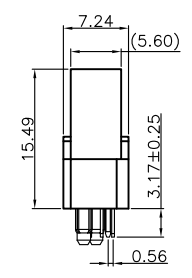
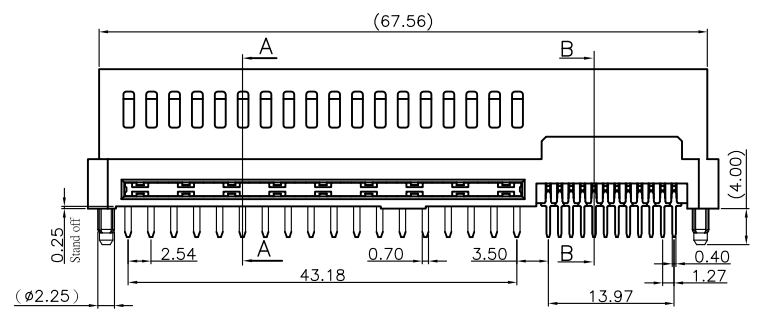
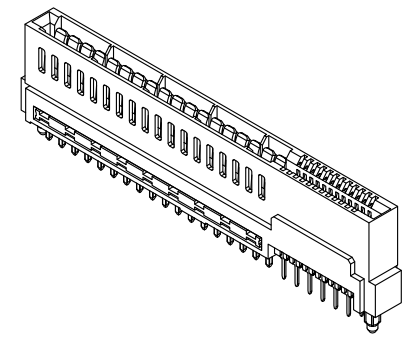
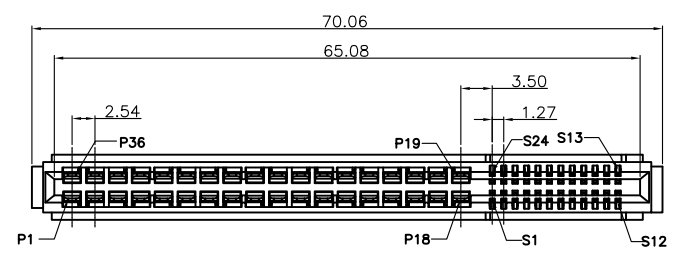
REV.	SPECIFICATION	ECN NO.	APPD.
R1		ECN171008	

Material and Plating:
Housing: LCP, UL94V-0, BLACK.
Power Contacts: High Conductivity Copper .
 30u"Au+Pd/Ni on Contact Area and 80u" Min Matte Tin Plated on Solder Tail over nickel 50u" Min under plated .
Signal Contacts : Phosphor Bronze .
 30u"Au+Pd/Ni on Contact Area and 80u" Min Matte Tin Plated on Solder Tail over nickel 50u" Min under plated .

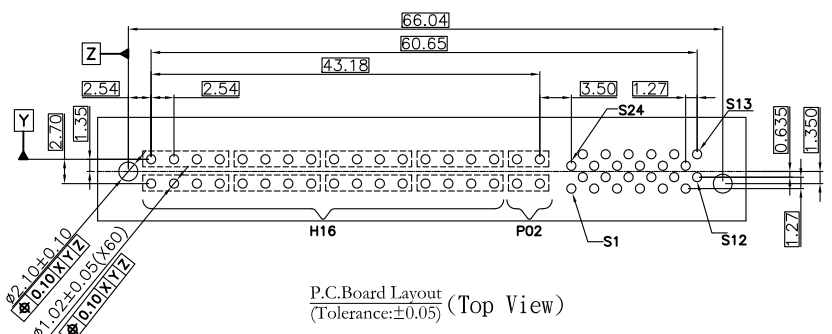
Electrical Characteristics:
Current Rating: Signal Pin 1.5 AMP.
 Power Pin 12.5AMP(UL).
Dielectric Withstanding Voltage:
 Signal Pin DC 500V For 1 minute.
 Power Pin DC 1000V For 1 minute.
Insulator Resistance: Signal Pin 500MΩ min. at DC 500V.
 Power Pin 5000MΩ min. at DC 500V.
Contact Resistance: Signal Pin 25mΩ max.
 Power Pin 0.6mΩ max.
Operating Temperature: -55°C ~+105°C .

***RoHS Compliant**

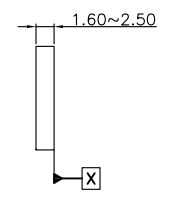
A
B
C
D
E
F
G
H
L



SECTION A-A SECTION B-B



P.C.Board Layout (Tolerance:±0.05) (Top View)

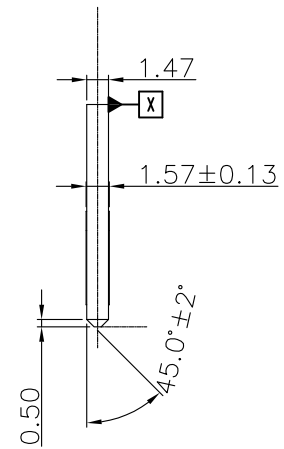
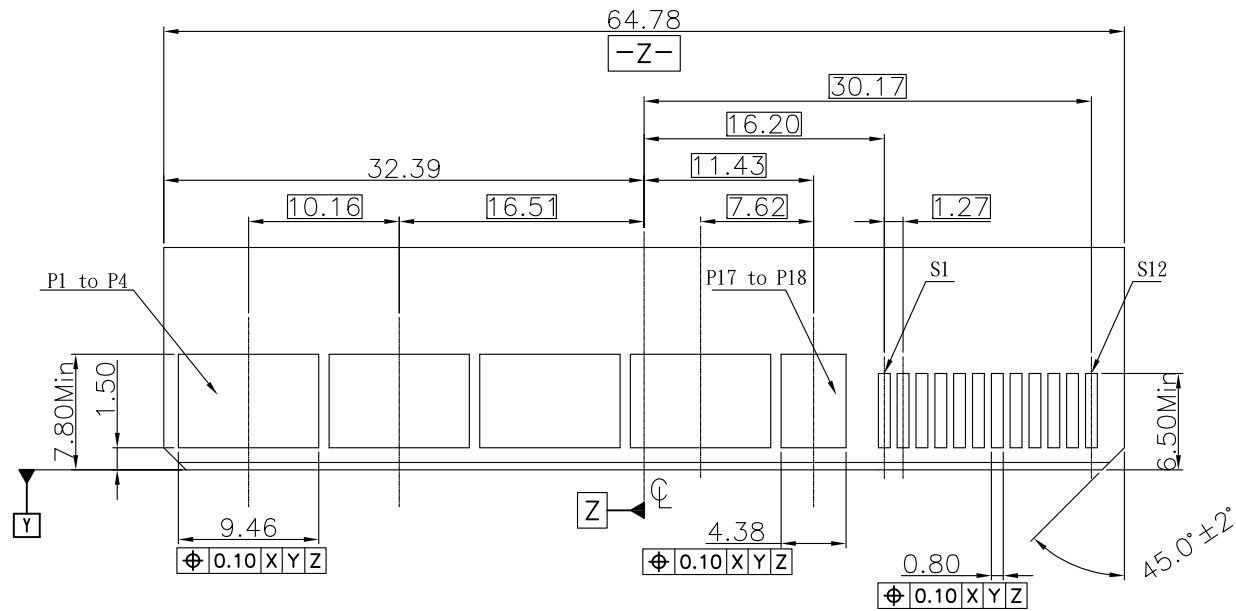


Series	9302-	2	A1	S24	P	1	1	A	CB30	D	A
2:Female-Straight											A: Tray Package
Type:A1											D: Dip Type
A1:H16P02											CB30: Contact Au+Pd/Ni, Dip Tin Power Pin:30u"
Sxx:Signal pin											C10: (Power pin) Selective Gold Plated 10u"
N:Without Post											A:Signal pitch 1.27
P:With Post											B:Signal pitch 2.54
1:DIM (Tail) 3.17mm											1:DIM (GAP) 1.1mm



Tolerances	Dwg. No.	9302-D0000-011	Title:	9302 Series High Power and Signal Edge Card Connector		 OUPIIN ELECTRONIC(KUNSHAN) CO., LTD.	
X=±0.50	Projection					P/N:9302-2A1S24P11ACB30DA	
.X=±0.25	Unit	mm	Scale	1:1		SHEET	1/2
.XX=±0.15	Drawn By	CXP10/13'17				Ver.No.	R1

1 2 3 4 5 6 7 8 9 10 11 12

REV.	SPECIFICATION	ECN NO.	APPD.
R1		ECN171008	



RECOMMENDED MATTING BOARD FOOTPRINT
(Tolerance: ±0.05)

Tolerances X=±0.50 .X=±0.25 .XX=±0.15	Dwg. No.	9302-D0000-011		Title: 9302 Series High Power and Signal Edge Card Connector	 OUPIIN ELECTRONIC(KUNSHAN) CO., LTD.				
	Projection								P/N: 9302-2A1S24P11ACB30DA
	Unit	mm	Scale		1:1	SHEET	2/2	Ver.No.	
	Drawn By	CXP10/13'17							